

56° 9' 41" N 15° 35' 21" E

KARLSKRONA.

SWEDEN - YOUR CALM GETAWAY IN THE BALTIC



GREAT
HOSPITALITY

WE CARE ABOUT YOUR PASSENGERS

Smooth operations

No congestion, no lining up – much appreciated among cruise lines, agents and passengers

WORLD CLASS
EXCURSIONS
IN A WORLD HERITAGE CITY

Grand welcome

A scenic view welcomes you to Karlskrona if you arrive by boat, ferry or cruise ship; the two outstanding fortifications of Kungsholm Fortress and Drottningstjärn Citadel guarding each side of the entrance to the city.

340 years of naval history

Karlskrona has been the main naval base of Sweden for over 300 years. You see evidence of this everywhere you go.

Curious?

Scan the QR-code and enjoy a video taking you on an excursion!



So Swedish!

The island of Brändaholm is often marketed as an image of Sweden: small, red cottages with white window panes and Swedish flags waving in the wind. A definite picture point!

A royal entrance

Those arriving by tender boats will enter the city in a Royal manner, docking at the King's Bridge, where all Royal members used to arrive Karlskrona – and still do.

Tender port

Our tender port is located in the city center. It's a 5 minute walk to the Naval Museum and 5 minutes to the Great Square

Great Square /
City center

Naval Museum and Submarine Hall

The Naval Museum and the sensational Submarine Hall, is our most visited attraction and a must see for both groups and individuals.

Boats to the archipelago

Only a few steps away from your ship, independents can buy tickets and join one of many tours of our beautiful archipelago.

Karlskrona City Port

Our main port is situated right in the city center. It's a 5 minute walk to the Naval Museum and 10 minutes to the Great Square – or why not let your passengers enjoy our complimentary mini-train service, taking them to the city centre?



WORLD CLASS

The city center of Karlskrona is located on the main island of Trossö, 6 km out in the archipelago.

World class excursions



An exciting encounter with Sweden's naval history

In 1680, King Karl XI ordered the construction of the city as Sweden's naval base, due to its location. The city centre of Karlskrona is uniquely situated in the middle of the archipelago, 6 km from the mainland. This gives a unique, spacious sense to the city and breathtaking views. The naval presence has ensured distinctive architectural qualities, and in 1998 The Naval Port of Karlskrona was appointed by UNESCO as a World Heritage City. Despite its militant past, Karlskrona is a peaceful town, with an open and friendly atmosphere. Gunpowder towers and fortifications make a splendid backdrop, together with a mix of yellow ferries, white sails and the occasional submarine visible in the waters surrounding the city.



ARCHIPELAGO & WORLD HERITAGE

Drottningstjär Citadel



On the border between sea and land on the archipelago island of Aspö, you will find the beautiful fortress Drottningstjär Citadel. The fortress is part of the World Heritage site and was built to protect the Swedish fleet when anchored in Karlskrona. The architect Erik Dahlbergh designed this well-preserved and beautiful fortification at the end of the 17th century. Drottningstjär Citadel, together with Kungsholm's fortress, defended the sea route to Karlskrona.



KARLSKRONA HIGHLIGHTS

City tour with Naval Museum

Enjoy the Great Square, picturesque Björkholmen, lush Brändaholm and a view of Karlskrona as well as the archipelago from the highest point - Bryggareberget. The tour ends with a visit to the Naval Museum.



HEART OF THE WORLD HERITAGE

Guided tour of the island Stumholmen

Stumholmen, just a few minutes walk from port, was for more than 300 years an important part of the naval base Karlskrona and the island offers exciting buildings and history. The visit includes a unique performance of ropemakers in action and a visit to the Naval Museum.



GARDENS & WORLD HERITAGE

Brändaholm & Björkholmen



Brändaholm - Visit the place very often promoted as the image of Sweden! Karlskrona's allotment cottages have a unique building style from the 1920s, with small houses built in similar design, size and colours. Brändaholm has great natural beauty and stunning views of the city, making it a very popular place for walks.

Björkholmen - Take a stroll and get a sense of old times, amidst charming cottages and narrow alleys at Björkholmen, the old quarters of Karlskrona. The first dockworkers built their houses here, and it's said that most of the timber came from the navy! The streets are named after types of vessels and Swedish admirals. The tour includes a unique visit inside one of the 18th century cottages and immerse yourself in the historic environment.



COUNTRYSIDE

Kristianopel & Torhamn



Meet the spectacularly scenic countryside in southeastern Sweden and explore the country's first renaissance town Kristianopel, previously a Danish town, founded almost a century before Karlskrona. In its earliest years the town served as a remote frontier fortress for the Danes, and were frequently under attack by the Swedes. Experience the journey along the coastal road between Kristianopel and Torhamn. Enjoy a delicious and traditional "Swedish fika" in the harbour at Café Måsen's lovely terrace with a view of the archipelago, where in October 28, 1981, the Soviet submarine U 137 ran aground in Gåsefjärden and the eyes of the world turned to Karlskrona for ten dramatic days. The incident also known as "Whiskey on the Rocks".



FAMILY ADVENTURE

Treasure hunt in the World Heritage

Join a "ghost from the past" on an exciting adventure to some of the most famous areas of the World Heritage including a fun visit to the Blekinge Museum.



ARCHIPELAGO TOUR

Go kayaking

The best way to explore Karlskrona is indeed from the seaside. The city extends over 30 islands and islets. Your kayak guide will take you on a picturesque paddle tour around some of the islands that forms the World Heritage site.



KARLSKRONA DELIGHT

Afternoon Tea

Karlskrona Porcelain Museum is located in the old porcelain factory and invites you to Afternoon Tea in their unique premises. Indulge in homemade cookies, sandwiches and tea, naturally served in cups from the porcelain factory.



WORLD HERITAGE

City walk

Discover Karlskrona's history in this classical city walk in the World Heritage where you will visit some of the city's most famous and unique places.

This tour can be combined in numerous ways!



ARCHIPELAGO & WORLD HERITAGE



Kungsholm Fortress

This fortress has guarded the entrance to Karlskrona for more than 300 years. A spectacular boat tour out in the archipelago let you experience the fort's exotic garden and stunning circular harbour. This is a great opportunity to see and learn about Karlskrona from its best side, the seaside! Military area - limited access.



Great hospitality in Tender Port



Welcoming committee - Dressed in 18th century clothes, local dignities from the past greet our guests on the pier. There is always hosts and tourist information on the pier. Together they form a highly valued and appreciated welcoming committee.



Mini-train and guides - Maps and visitor guides are available at the pier. A complimentary mini train on wheels runs on a hop on - hop off tour throughout the call, stopping at main sights in the city center.

Public information

TOURIST INFORMATION	In port when cruise ships are calling.
TAXI	Available on demand.
OTHER TRANSPORTATION	Complimentary mini-train offering shuttle service to/from the Naval Museum and city center.
SHOPPING	Within walking distance.
DOWNTOWN	300 m from pier or tender landing.

Facts

LANGUAGE	Native = Swedish. English is widely spoken. Guided tours available in: English, German, French, Spanish, Italian and Dutch.
CURRENCY	Swedish krona, 1 krona = 100 ore. www.xe.com/ucc
OPENING HOURS SHOPPING	Opening hours for shops: Weekdays: 10 am - 6 pm Saturday: 10 am - 4 pm Sunday: 12 - 4 pm (Some stores.) Department stores and supermarkets have longer opening hours and are open seven days a week.
CLIMATE	Seasonal with pleasant temperatures and usually nice weather in the summer season, with average temperatures 15–20° C.
TIPPING/TAX	Tips always included.
WEBSITE	www.visitkarlskrona.se/en
TRANSPORTATION TO/FROM AIRPORT	30 km – approx 25 min by taxi.



Smooth operations

Karlskrona City Port

Our main port is situated right in the city center, on the island of Trossö, with shopping, cafés, attractions and soft activities at easy walking distance (approx. 300 m).

MAXIMUM SHIP DIMENSIONS	Lenght: 150 m, draft 7,4 m. Beam: No limits	PILOT	Compulsory
--------------------------------	--	--------------	------------

Karlskrona Tender Port

Those arriving by tender boats will enter the city in a royal manner, docking at the King's Bridge, where all royal members used to arrive Karlskrona – and still do.

The tender distance is approx. 10 minutes and the landing a fixed pier with stairs. The much appreciated welcoming committee will of course greet our guests even in the tender port, as well as the mini-train and all other services and amenities.

Contact information:

Port: KARLSKRONA
Address: Ö. Hamngatan 7B,
SE-371 83 Karlskrona
Phone: +46 455 30 34 91
E-mail: malin.hagberg-andersson@karlskrona.se
Web: www.visitkarlskrona.se/en

Cruise Destination Karlskrona

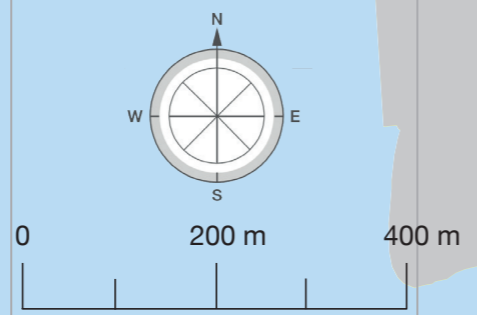
Your calm getaway in the Baltic



City Port

Tender Port

- Walk around**
Experience the UNESCO World Heritage City on your own!
- 1 King's Bridge/Bastion Aurora
 - 2 Bastion Kungshall
 - 3 The Naval Museum
 - 4 The Fredrik's Church
 - 5 The Great Square
 - 6 The Church of the Holy Trinity
 - 7 The City Hall
 - 8 Blekinge Museum
 - 9 Fisktorget (Archipelago boats)
 - 10 Old quarters of Björkholmen
 - 11 The Dockyard Wall
 - 12 The Bell Tower
 - 13 The Admiralty Church & Rosenbom



The grey zone is military restricted area and is only accessible through pre-booked guided tours. Photography prohibited.

- | | | | | | |
|--|-------------------|--|-----------------|--|---------------------|
| | Site of interest | | Ferry | | Tourist Center |
| | Viewpoint | | Swedish Fika | | World Heritage Area |
| | Toilet | | Shopping | | Pharmacy |
| | Church | | Swimming | | Wifi |
| | Archipelago boats | | Restricted Area | | |



Photo: Mieke Olsson, HeliAr, Sweden, Joakim Johansson, Bigler Lallo, Håkan Linder, Andreas Blomlöf, Linda Åkerberg, Jonatan Rennemark